

DATE
January 20, 2009
CAT. #:

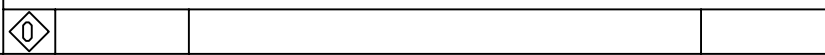
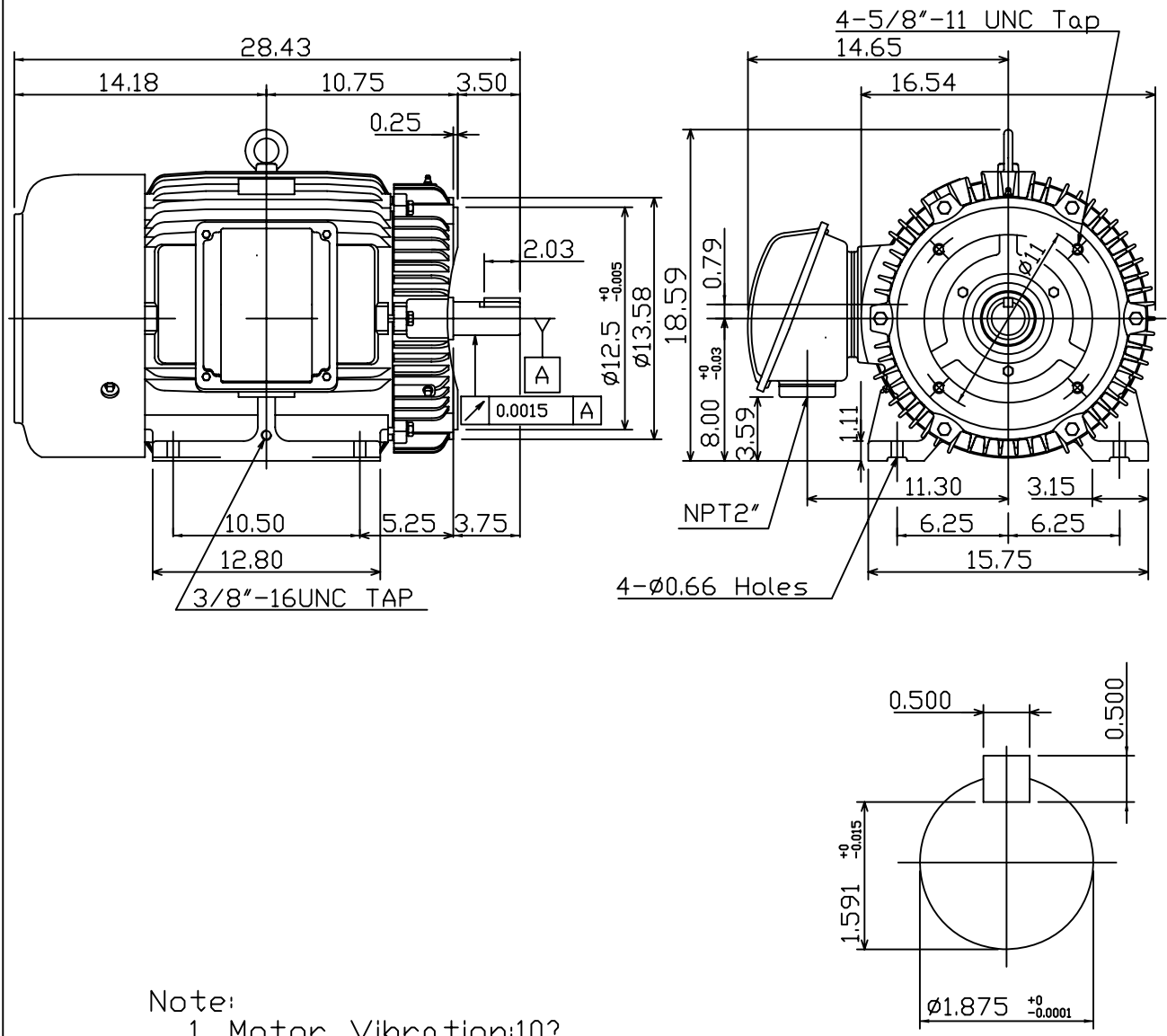
OUTLINE DIMENSIONS
3-PHASE INDUCTION MOTOR

MOTOR TYPE:
AEHH8B-CF
FRAME NO. 324TSC

Pole	HP	kW	Hz	VOLT	Syn.Speed r/min(rpm)
2					

Ins	Rating	Dimension in	Approx Weight	Bearings
F	CONT.	inches	635 LBS	DE: 6312ZC3 NDE: 6212ZC3

Totally Enclosed Fan Cooled Type. Squirrel-Cage Rotor.



DWN.	K.L.KUD	01-19-05
CHKD.	C.H.KAD	02-01-05
APPD.	M.C.TSAI	02-01-05



DWG NO.
31049M629160